

Please write desired characteristics indicated on the **price list** for chosen model.
- color is related to the structure (aluminum)
- specify RAL / VIV color code

Write the desired characteristics indicated on the **fabric swatch** of the chosen fabric
- fabrics can have limitations in some models - please see price list
- reinforcement package is optional. For some products (non guided roller blinds) of big dimensions it may be required - please see price list

Dear Customer,
this guide will help you fill out the order form.

You will need:

- Price list**
- Product leaflet**
- Fabric swatch**

Details required **COMO Roller Blind** **Guide** **Fabric**

company _____ model _____ types of guide _____ name _____
reference _____ colour _____ colour _____

Request estimate order **Traction** **Fabric confection** **Second fabric (optional)**

round cassette square cassette belts wire ropes reinforcement name _____
colour _____

Mounting type **Handling**

ceiling mounted crank handle normal angled by 45° angled by 90° removable crank rod YES NO
reveal fix motor electrical end stop radio remote control single-ch. _____ q.ty multi-ch. _____ q.ty
with support Motor brand _____ Programming cable

Amount	Finished measure width	Finished measure height	Type of winding*	side of handling / side of motor cable **	height of control rod / chain	motor cable exit ***
_____ pz	_____ mm	_____ mm	A <input type="checkbox"/> B <input type="checkbox"/>	W <input type="checkbox"/> X <input type="checkbox"/> Y <input type="checkbox"/> Z <input type="checkbox"/>	_____ mm	1 <input type="checkbox"/> 2 <input type="checkbox"/> 3 <input type="checkbox"/> 4 <input type="checkbox"/> 5 <input type="checkbox"/> 6 <input type="checkbox"/>
_____ pz	_____ mm	_____ mm	A <input type="checkbox"/> B <input type="checkbox"/>	W <input type="checkbox"/> X <input type="checkbox"/> Y <input type="checkbox"/> Z <input type="checkbox"/>	_____ mm	1 <input type="checkbox"/> 2 <input type="checkbox"/> 3 <input type="checkbox"/> 4 <input type="checkbox"/> 5 <input type="checkbox"/> 6 <input type="checkbox"/>
_____ pz	_____ mm	_____ mm	A <input type="checkbox"/> B <input type="checkbox"/>	W <input type="checkbox"/> X <input type="checkbox"/> Y <input type="checkbox"/> Z <input type="checkbox"/>	_____ mm	1 <input type="checkbox"/> 2 <input type="checkbox"/> 3 <input type="checkbox"/> 4 <input type="checkbox"/> 5 <input type="checkbox"/> 6 <input type="checkbox"/>
_____ pz	_____ mm	_____ mm	A <input type="checkbox"/> B <input type="checkbox"/>	W <input type="checkbox"/> X <input type="checkbox"/> Y <input type="checkbox"/> Z <input type="checkbox"/>	_____ mm	1 <input type="checkbox"/> 2 <input type="checkbox"/> 3 <input type="checkbox"/> 4 <input type="checkbox"/> 5 <input type="checkbox"/> 6 <input type="checkbox"/>
_____ pz	_____ mm	_____ mm	A <input type="checkbox"/> B <input type="checkbox"/>	W <input type="checkbox"/> X <input type="checkbox"/> Y <input type="checkbox"/> Z <input type="checkbox"/>	_____ mm	1 <input type="checkbox"/> 2 <input type="checkbox"/> 3 <input type="checkbox"/> 4 <input type="checkbox"/> 5 <input type="checkbox"/> 6 <input type="checkbox"/>
_____ pz	_____ mm	_____ mm	A <input type="checkbox"/> B <input type="checkbox"/>	W <input type="checkbox"/> X <input type="checkbox"/> Y <input type="checkbox"/> Z <input type="checkbox"/>	_____ mm	1 <input type="checkbox"/> 2 <input type="checkbox"/> 3 <input type="checkbox"/> 4 <input type="checkbox"/> 5 <input type="checkbox"/> 6 <input type="checkbox"/>

HANDLING - INTERNAL VIEW

*Application A *Application B ***Motor cable exit

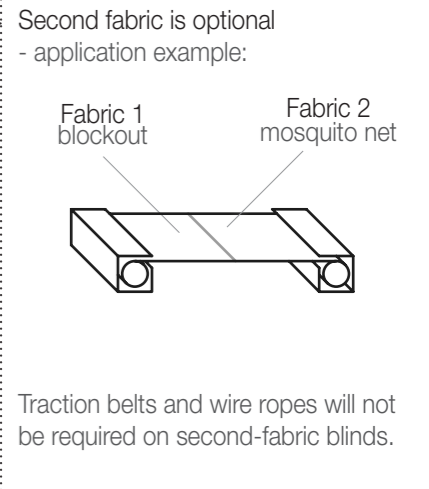
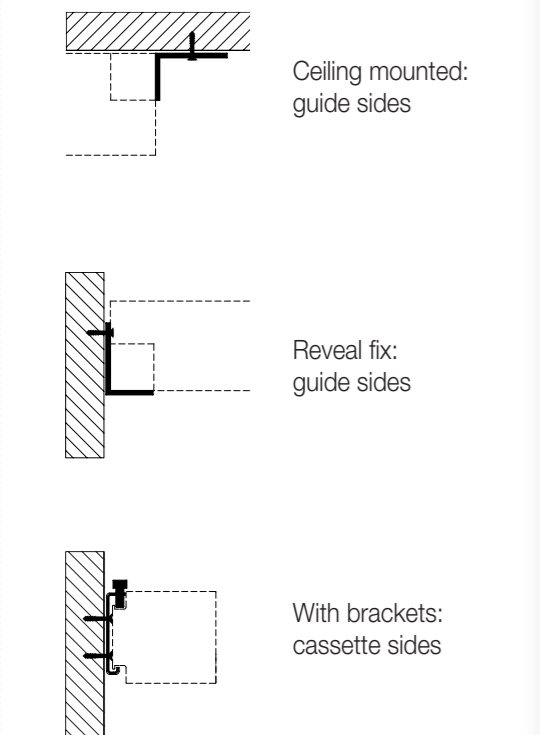
Privacy
Your indicated data will be used exclusively for the processing of your request. Without your accordance Marinello Tende will not use your data for any other purpose as per art. 7 of D.Lgs. 196/2003.

Date _____ Signature _____

NOTE (automation, special applications, other...)

CLEAR all fields **SEND compiled form**

Marinello Tende
marina@marinellotende.com
COMO Roller blinds
Form version **2.3**



Please choose desired characteristics indicated on the **price list** of the chosen model.

Our standard motors
- Cherubini (electrical endstop)
- Somfy (radio)

