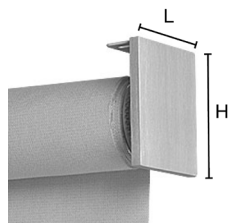
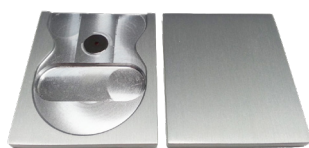


COPRISUPPORTI OPZIONALI PER TENDE "MILANO" OPTIONAL BRACKETS' COVERS FOR "MILANO" BLINDS

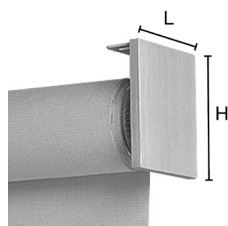
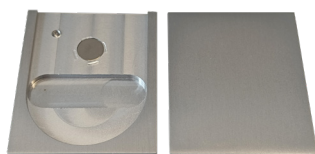
DISPONIBILI FINO AD ESAURIMENTO SCORTE
AVAILABLE WHILE STOCKS LAST



MAGNETICI QUADRI per supporti 52x66
MAGNETIC SQUARE SHAPED for 52x66 brackets

- Attacco frontale o a soffitto / Wall or ceiling mounting
- Materiale / Material : alluminio / aluminum
- Per rulli (Ø) / For rollers (Ø) : 30 | 43 | 48
- Dimensioni / Dimensions (mm): (L) 60 x (H) 70
- Copriviti applicabili / Screw cover applicability :
- Vite di sicurezza / Safety screw : NO

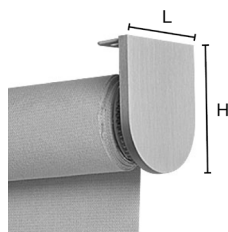
Satinati / Satin finish : cod. 04.2000.13



MAGNETICI QUADRI per supporti 52x66
MAGNETIC SQUARE SHAPED for 52x66 brackets

- Attacco frontale o a soffitto / Wall or ceiling mounting
- Materiale / Material : alluminio / aluminum
- Per rulli (Ø) / For rollers (Ø) : 30 | 43 | 48
- Dimensioni / Dimensions (mm): (L) 60 x (H) 70
- Copriviti applicabili / Screw cover applicability :
- Vite di sicurezza / Safety screw :

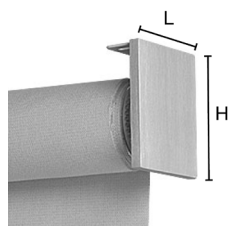
Bianchi RAL 9010 / RAL 9010 White : cod. 04.2280.01 | Neri RAL 9005 / RAL 9005 Black : cod. 04.2280.02 | Satinati / Satin finish : cod. 04.2280.13



MAGNETICI TONDI per supporti 52x66
MAGNETIC ROUND SHAPED for 52x66 brackets

- Attacco frontale o a soffitto / Wall or ceiling mounting
- Materiale / Material : alluminio / aluminum
- Per rulli (Ø) / For rollers (Ø) : 30 | 43 | 48
- Dimensioni / Dimensions (mm): (L) 60 x (H) 70
- Copriviti applicabili / Screw cover applicability :
- Vite di sicurezza / Safety screw :

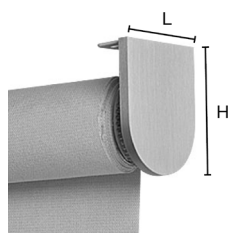
Bianchi RAL 9010 / RAL 9010 White : cod. 04.2010.01 | Neri RAL 9005 / RAL 9005 Black : cod. 04.2010.02 | Satinati / Satin finish : cod. 04.2010.13



MAGNETICI QUADRI per supporti 52x81
MAGNETIC SQUARE SHAPED for 52x81 brackets

- Attacco frontale o a soffitto / Wall or ceiling mounting
- Materiale / Material : alluminio / aluminum
- Per rulli (Ø) / For rollers (Ø) : 30 | 43 | 48
- Dimensioni / Dimensions (mm): (L) 60 x (H) 85
- Copriviti applicabili / Screw cover applicability :
- Vite di sicurezza / Safety screw :

Bianchi RAL 9010 / RAL 9010 White : cod. 04.2240.01 | Neri RAL 9005 / RAL 9005 Black : cod. 04.2240.02 | Satinati / Satin finish : cod. 04.2240.13



MAGNETICI TONDI per supporti 52x81
MAGNETIC ROUND SHAPED for 52x81 brackets

- Attacco frontale o a soffitto / Wall or ceiling mounting
- Materiale / Material : alluminio / aluminum
- Per rulli (Ø) / For rollers (Ø) : 30 | 43 | 48
- Dimensioni / Dimensions (mm): (L) 60 x (H) 85
- Copriviti applicabili / Screw cover applicability :
- Vite di sicurezza / Safety screw :

Bianchi RAL 9010 / RAL 9010 White : cod. 04.2250.01 | Neri RAL 9005 / RAL 9005 Black : cod. 04.2250.02 | Satinati / Satin finish : cod. 04.2250.13

Nota

Le misure "52x66" e "52x81" sono intese come gli ingombri dati da supporti e relativi coprisupporti standard in plastica.

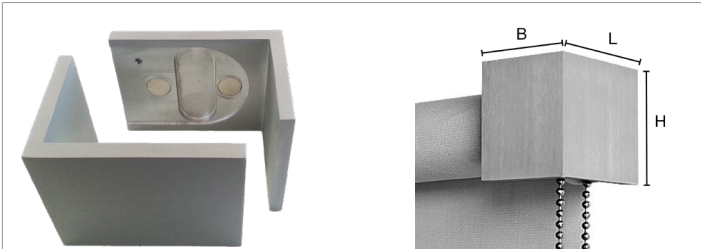
Le misure effettive dei soli supporti, senza coprisupporti standard in plastica, sono pari rispettivamente a 50x65 mm e 50x80 mm.

Note

"52x66" and "52x81" measures are intended as the dimensions of brackets and relative standard plastic covers.

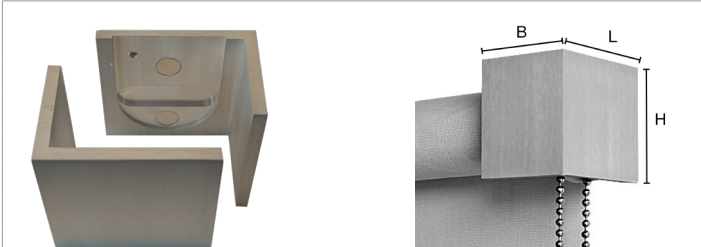
Effective measures of the brackets only, without the application of standard plastic covers, are respectively equal to 50x65 mm and 50x80 mm.

COPRISUPPORTI OPZIONALI PER TENDE "MILANO" OPTIONAL BRACKETS' COVERS FOR "MILANO" BLINDS



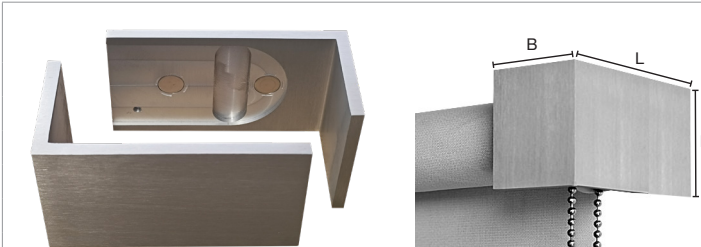
| |
|---|
| MAGNETICI ANGOLARI attacco frontale per supporti 52x66, <i>MAGNETIC ANGULAR SHAPED wall mounting for 52x66 brackets</i> |
| • Attacco frontale / Wall mounting |
| • Materiale / Material : alluminio / aluminum |
| • Per rulli (Ø) / For rollers (Ø) : 30 43 48 |
| • Dimensioni / Dimensions (mm): (B) 50 x (L) 80 x (H) 60 |
| • Copriviti applicabili / Screw cover applicability : <input checked="" type="checkbox"/> |
| • Vite di sicurezza / Safety screw : <input checked="" type="checkbox"/> |

Bianchi RAL 9010 / RAL 9010 White : cod. 04.2020.01 | Neri RAL 9005 / RAL 9005 Black : cod. 04.2020.02 | Satinati / Satin finish : cod. 04.2020.13



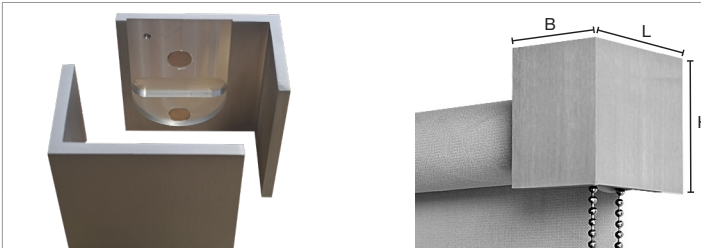
| |
|---|
| MAGNETICI ANGOLARI attacco a soffitto per supporti 52x66 <i>MAGNETIC ANGULAR SHAPED ceiling mounting for 52x66 brackets</i> |
| • Attacco a soffitto / Ceiling mounting |
| • Materiale / Material : alluminio / aluminum |
| • Per rulli (Ø) / For rollers (Ø) : 30 43 48 |
| • Dimensioni / Dimensions (mm): (B) 50 x (L) 72 x (H) 71 |
| • Copriviti applicabili / Screw cover applicability : <input checked="" type="checkbox"/> |
| • Vite di sicurezza / Safety screw : <input checked="" type="checkbox"/> |

Bianchi RAL 9010 / RAL 9010 White : cod. 04.2030.01 | Neri RAL 9005 / RAL 9005 Black : cod. 04.2030.02 | Satinati / Satin finish : cod. 04.2030.13




| |
|--|
| MAGNETICI ANGOLARI attacco frontale per supporti 52x81 <i>MAGNETIC ANGULAR SHAPED wall mounting for 52x81 brackets</i> |
| • Attacco frontale / Wall mounting |
| • Materiale / Material : alluminio / aluminum |
| • Per rulli (Ø) / For rollers (Ø) : 30 43 48 |
| • Dimensioni / Dimensions (mm): (B) 50 x (L) 105 x (H) 60 |
| • Copriviti applicabili / Screw cover applicability : <input checked="" type="checkbox"/> |
| • Vite di sicurezza / Safety screw : <input checked="" type="checkbox"/> |

Bianchi RAL 9010 / RAL 9010 White : cod. 04.2080.01 | Neri RAL 9005 / RAL 9005 Black : cod. 04.2080.02 | Satinati / Satin finish : cod. 04.2080.13



| |
|---|
| MAGNETICI ANGOLARI attacco a soffitto per supporti 52x81 <i>MAGNETIC ANGULAR SHAPED ceiling mounting for 52x81 brackets</i> |
| • Attacco a soffitto / Ceiling mounting |
| • Materiale / Material : alluminio / aluminum |
| • Per rulli (Ø) / For rollers (Ø) : 30 43 48 |
| • Dimensioni / Dimensions (mm): (B) 50 x (L) 80 x (H) 86 |
| • Copriviti applicabili / Screw cover applicability : <input checked="" type="checkbox"/> |
| • Vite di sicurezza / Safety screw : <input checked="" type="checkbox"/> |

Bianchi RAL 9010 / RAL 9010 White : cod. 04.2090.01 | Neri RAL 9005 / RAL 9005 Black : cod. 04.2090.02 | Satinati / Satin finish : cod. 04.2090.13



| |
|--|
| TONDI EFFETTO SATINATO per supporti 73x92 <i>SATIN FINISH EFFECT ROUND SHAPED for 73x92 brackets</i> |
| • Attacco frontale o a soffitto / Wall or ceiling mounting |
| • Materiale / Material : plastica / plastic |
| • Per rullo (Ø) / For roller (Ø) : 58 (catena dem. / geared down chain) |
| • Dimensioni / Dimensions (mm): (L) 73 x (H) 92 |

Effetto satinato / Satin finish effect : cod. 04.1201.13 (codice per supporti integrati con coprisupporti / code for brackets integrated with covers)

Nota

Le misure "52x66" e "52x81" sono intese come gli ingombri dati da supporti e relativi coprisupporti standard in plastica.
Le misure effettive dei soli supporti, senza coprisupporti standard in plastica, sono pari rispettivamente a 50x65 mm e 50x80 mm.

Note

"52x66" and "52x81" measures are intended as the dimensions of brackets and relative standard plastic covers.
Effective measures of the brackets only, without the application of standard plastic covers, are respectively equal to 50x65 mm and 50x80 mm.